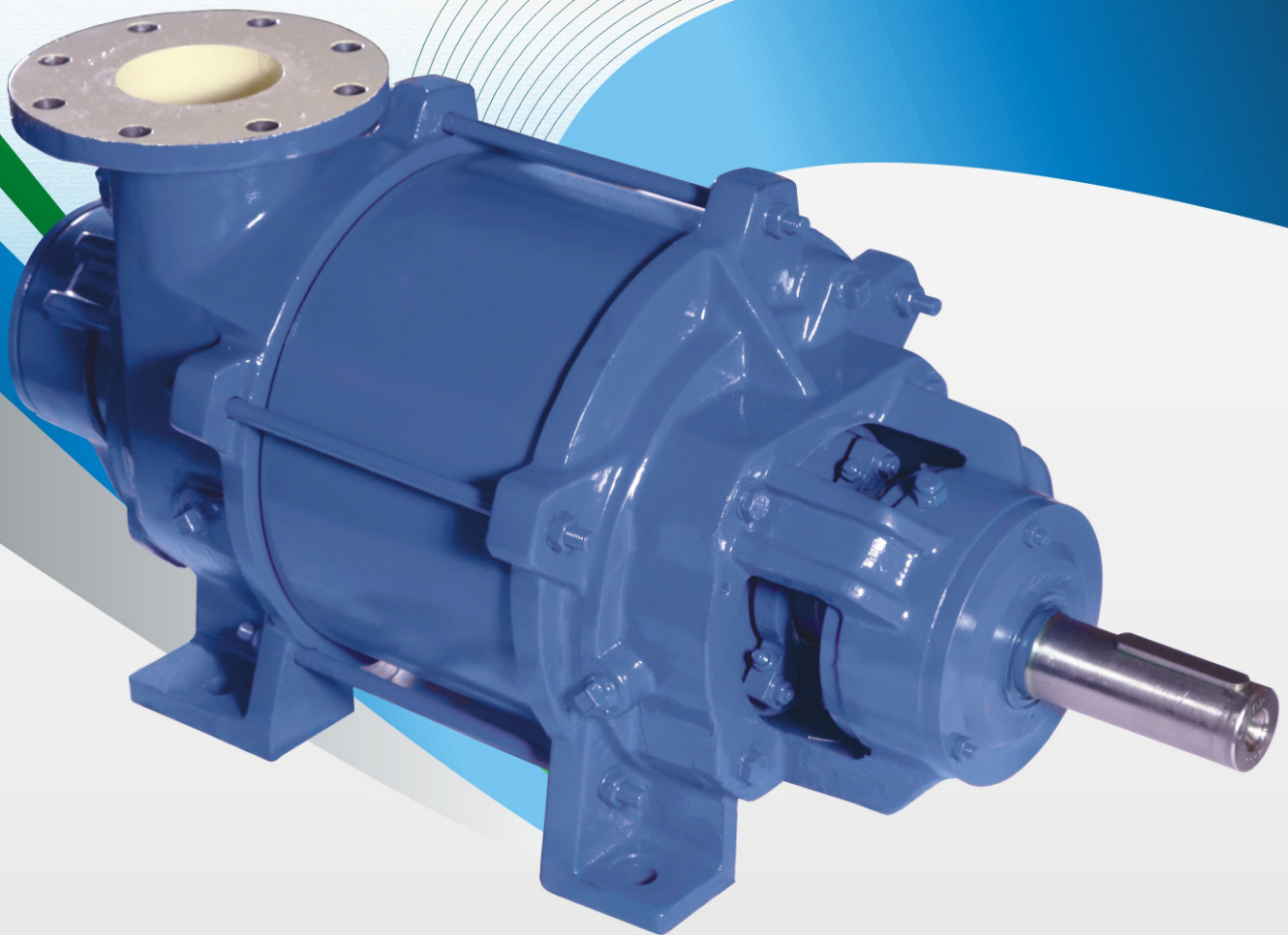


Kakati™

Vacuum Pumps & Systems

An ISO 9001:2008 Company



KVC-Series Liquid Ring Vacuum Pumps and Compressors

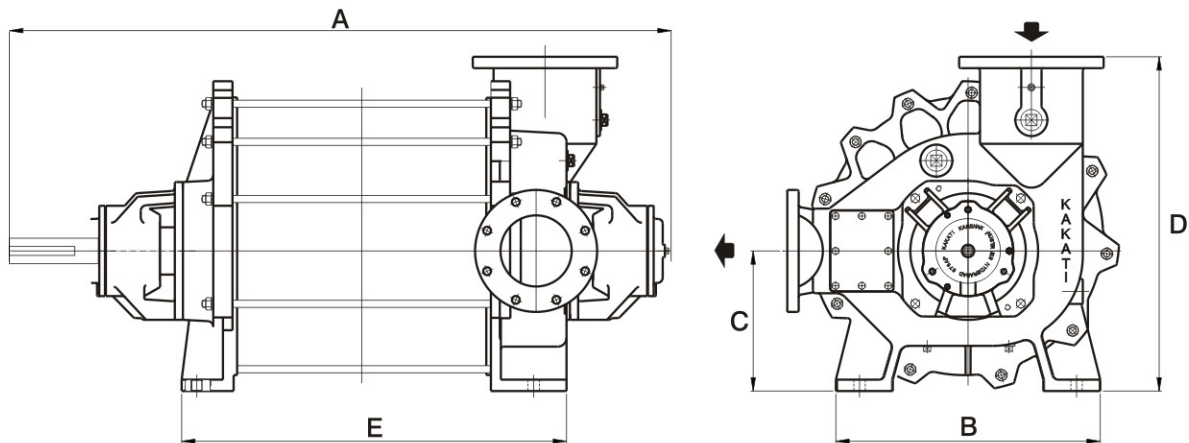


Kakati KVC Single Cone Liquid Ring Vacuum Pumps and Compressors

The Kakati single cone liquid ring vacuum pumps & compressors are designed for applications which require vacuum pumps to discharge against a positive back pressure. They are most extensively used in chemical industry and are designed to stand up to the harsh environments found in the chemical process industry. They are available in both ductile iron and stainless steel and can accommodate a variety of mechanical seals.

Basic specification

| | |
|----------------------------------|----------------------------|
| Vacuum range | Up to 720 mmHg |
| Differential pressure capability | 2 bar |
| Compressor pressure | 3 bar abs |
| Standard construction material | Cast iron, Stainless Steel |



| Pump Size | Inlet NB | Outlet NB | A | B | C | D | E |
|-----------|----------|-----------|------|-----|-----|-----|------|
| KVC 3 | 250 | 200 | 1845 | 740 | 394 | 940 | 1080 |
| KVC 10 | 100 | 75 | 910 | 305 | 171 | 410 | 430 |

Note : All dimensions are in 'mm' & subject to change without notice.



KAKATI KARSHAK INDUSTRIES PRIVATE LIMITED

Manufacturers of Liquid Ring Vacuum Pumps and Systems

Plot No. P-4/1, Road No.1, Nacharam Industrial Area, Hyderabad - 500 076. Telangana, INDIA.

Ph: +91 - 40 - 27153104/05, 27174522/74, 27171298, 27172704, Fax : +91 - 40 - 27171980,

marketing@kakatipumps.com, info@kakatipumps.com

www.kakatipumps.com

www.kakatikarshak.com